

# HINO

## 300 Series

## 4 Litre Crew Cab Range



\*Image may contain items not standard to the model

**4 x 2 Cab Chassis**

## KEY FEATURES

- Pre-Collision System (PCS) including AEB & PD
- Vehicle Stability Control (VSC)
- Lane Departure Warning System (LDWS)
- Daytime Running Lamps (DRL)
- Dual SRS Airbags
- Reverse Camera
- ECE R-29 Cab Strength Certified
- Cruise Control
- ADR 80/03 Emission level using Euro 5 Standard
- Crew cab, 7 seats, 3 front & 4 rear
- Rear passenger air conditioning

## KEY SPECIFICATIONS

Model	Automatic	Manual
<b>GVM Range</b> . . . . .	4,495 to 8,000	4,495 to 8,500
<b>GCM Range</b> . . . . .	8,000kg	GVM + 3,500kg
<b>Power</b> . . . . .	150hp/110kW	165hp/121kW
<b>Torque</b> . . . . .	.420Nm	.464Nm
<b>Transmissions</b> . . . . .	6 spd Automatic	6 spd Manual
<b>Wheelbases</b> . . . . .	3.9m, 4.2m	
<b>Max Nominal Body Length</b> . . . . .	4.4m, 5.0m	

Check the back page for individual variant dimensions & ratings

## ENGINE

Model	Automatic	Manual
Engine model	Hino N04C-WL	Hino N04C-WM
Max. output (ISO Net) @ 2,500rpm	150hp/110kW	165hp/121kW
Max. torque (ISO Net) @ 1,400rpm	420Nm	464Nm
Max. engine RPM	3,100	
Engine compliance	ADR 80/03 using Euro 5 Standard	
Type	Diesel, turbo & intercooled, 4 cylinder, OHV	
Combustion system	Direct injection with EGR	
Bore & stroke	104 x 118 mm	
Piston displacement	4.009L	
Fuel injection system	Electric control common rail	
Air cleaner & intake	Behind cab mounting snorkel & dry paper element	
Exhaust system	Horizontal outlet RHS	
Emission control systems	DPR & DOC after treatments	
Engine immobiliser	Equipped	

## CLUTCH (MANUAL MODELS ONLY)

Type	Dry Single plate with auto adjuster
Facing Diameter	325mm
Control	Hydraulic with vacuum booster

## TRANSMISSION & GEAR RATIOS

Make, model & Description	AUTOMATIC		MANUAL	
	Hino A860E 6 speed with double overdrive		Hino RE61 6 speed with single overdrive	
GEAR RATIOS	1	3.742	1	6.370
	2	2.003	2	3.870
	3	1.343	3	1.913
	4	1.000	4	1.461
	5	0.773	5	1.000
	6	0.634	6	0.703
	Reverse	3.539	Reverse	5.923
Torque Converter & Ratio	1.951		NA	

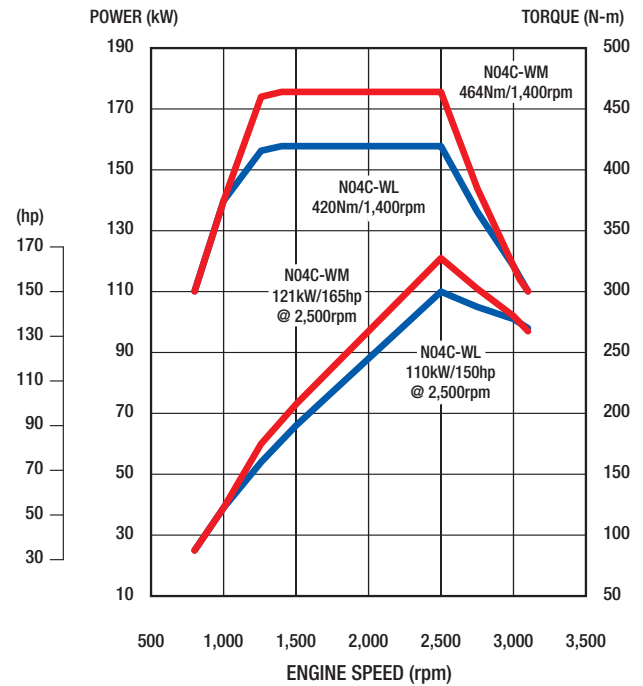
## PERFORMANCE

Models	616	617	716	717	816	917
Engine RPM @ 100 km/h	2,165	2,128	2,246	2,213	2,525	2,458
Max theoretical speed km/h	143	145	138	140	122	126
Gradeability tan @ GVM	60%	60%	60%	57.8%	60%	47.1%
Rear axle ratio	4.625	4.1	4.875	4.333	5.857	5.142

## BRAKES

Type	Ventilated disc front & rear
Control	Dual circuit VOV with power brake assist
ES Start	Equipped on Manual models
Exhaust Brake	Equipped
Park brake	Drum acting on transmission output shaft

## POWER & TORQUE CHART (ISO NET) N04C-WL & WM



## SAFETY FEATURES

### Active Safety Features

Vehicle Stability Control	VSC	Equipped
Anti-lock Brakes System	ABS	Equipped
Pre-Collision System	PCS	Equipped
PCS is inclusive of	Autonomous Emergency Braking	AEB
	Pedestrian Detection	PD
Traction Control	TC	Equipped
Lane Departure Warning System	LDWS	Equipped
Reverse Camera	RC	Equipped
ES Start (MT models only)	ES	Equipped
Daytime Running Lamps	DRL	Equipped
Reverse Buzzer	Equipped	

### Passive Safety Features

ECE-R29 Cab Strength Certification	Equipped
SRS airbags for driver & side passenger	Equipped
SRS seatbelt pretensioner for driver & side passenger	Equipped
Shock absorbing & collapsible steering column	Equipped
Door Beams (anti side intrusion)	Equipped

## AXLE, SUSPENSION & LOAD LIMITS

Models		616/617	716/717	816/917
FRONT	Front Axle Type	Reverse Elliot I-beam		
	Suspension	Taper Leaf sprg, shock absorbers & Stabiliser bar		
	Axle Limit (incl suspension)	2,600kg	3,100kg	
	Tyre limit	2,360kg	2,800kg	3,100kg
REAR	Rear Axle Model	SH12		SH13
	Type	Fully floating single reduction		
	Suspension	Taper Leaf sprg, shock absorbers & Stabiliser bar		
	Axle Limit (incl suspension)	4,400kg	5,100kg	6,200kg
Tyre Limit	4,400kg	5,100kg	6,000kg	

## CHASSIS FRAME

Type	Ladder-shaped channel section side rails
Chassis frame wheelbase variants	All
Depth Flange Thickness in mm	192.8 x 65 x 5.9
Chassis width (at rear)	750mm
Tensile Strength	540 N/mm <sup>2</sup>
Tow Hook	Equipped

## WHEELS & TYRES

Models	616/617	716/717	816/917
Wheel type	5-Stud JIS	6-Stud JIS	
Pitch Circle Diameter (PCD)	203.2mm		222.25mm
Rim size	16" x 5.5"		17.5" x 6.0"
Tyre size	195/85R16	215/85R16	225/80R17.5
Number of wheels and tyres	Seven (7) including spare		
Spare tyre carrier	Equipped		

## FUEL TANK & SUPPLY

Material	Steel
Tank Capacity	100L
Lockable fuel cap	Equipped
Fuel Filter	Primary, secondary & sedimenter

## ELECTRICAL

Type	24 volt negative earth system
Batteries	12 volt x 60 AH 55D23L x 2
Alternator capacity	80 amp
Starter type	24V-4.5kW
Headlamps	Halogen
Daytime Running Lamps (DRL's)	Equipped
Electric horn	Equipped
Reverse Buzzer	Equipped

## STEERING

Type	Telescopic and Tilt adjustable steering column, recirculating ball integral power steering			
Model	616/617	716/717	816/917	
Steering Angle	Inside	51°	50°	44°
	Outside	36°	36°	34°

## GENUINE ACCESSORY OPTIONS

Bullbar	Truck spec GPS nav with live traffic
Chrome wheel covers	Seat covers (Wool, Canvas, Carbon)
Cameras (up to additional 3 extra)	Stone guard
Dash mat	Weathershields
Floor mats	

Please check with your dealer for availability, price & fitment

## CAB EXTERIOR

Type	Forward control, all steel, welded construction, fully trimmed
Windscreen wipers washers	Dual wiper arms with intermittent & 2 speeds
Grille Colour	Painted same colour as the cab
Outside rearview mirrors	2 Flat type main, heated & electric control
	2 convex spotter type, mounted below the main
Windscreen Glass	Heat absorbing laminated glass

## CAB INTERIOR

Seating Capacity	Seven, 3 front & 4 rear	
Driver's seat	2-way adjustable, urethane foam pads with suspension	
Assistant's Seat	Fixed bench, split back, urethane foam pads	
Seat Covering	Fabric cover	
Rear seats	Fixed Bench type with fabric covering	
Seat belts	Driver's seat	3-point Lap/Sash type with ELR and pre-tensioner
	Assistant's seat	
	Centre seat	2-point Lap type
	Rear seats	Outer 3-point lap/sash, inner 2-point lap
SRS airbags	Driver & front side passenger	
Sun visor & overhead consoles	Driver & front side passenger	
Inside rearview mirror	Single centre mounted flat type	
Lighter/24 volt socket	Equipped	
Multimedia unit	6.5" LCD, HD touch screen display with DAB+AM/FM radio, AUX input, Bluetooth 4.1, Android 6.0 CANBUS connected & Wi-Fi enabled	
Heater & Air conditioner	Equipped with 4 speed fan	
	Rear passenger air conditioning	
Central & remote door locking	Equipped with Immobiliser	
Power windows	Equipped	
Drivers footrest	Equipped for Auto models	
Driver's seat back pocket	Equipped	
Centre fold down tray	Equipped	
Cup holders	Sides of dash & centre console	
Tool kit & Jack	Equipped	
Courtesy lights front & rear	Equipped	

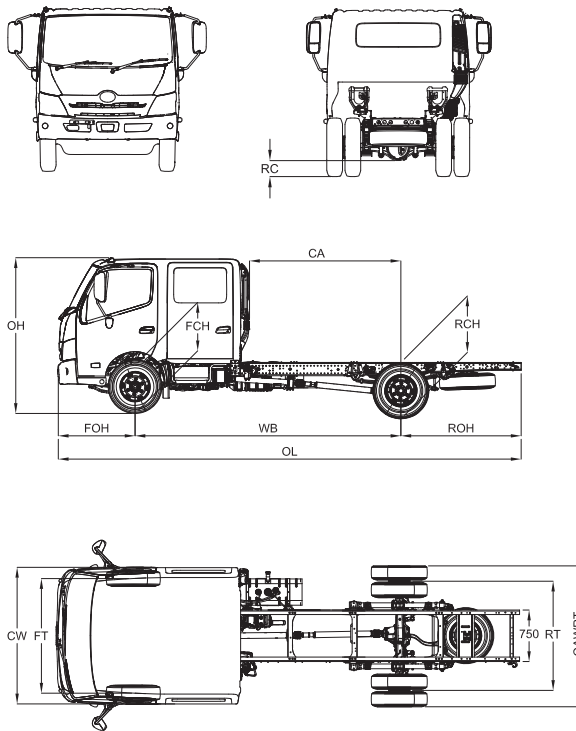
## INSTRUMENTATION & CONTROLS

<b>Meters &amp; Gauges</b>	<b>Multi Information Display (MID)</b>
Speedometer	Safety feature settings
Tachometer	General information settings
<b>LCD Display</b>	Eco driving
Clock	DPR filter gauge
Battery warning	Cruise control settings
Coolant	<b>Dash mounted switches</b>
Fuel	Heater & A/C controls
ODO meter	ES Start (MT models only)
<b>Steering wheel &amp; Column controls</b>	LDWS off
MID setting	PCS off
Cruise control settings	VSC off
Hands free phone	Headlight leveller
Lights & Indicator	Hazard lights
Exhaust brake & wiper washer	DPR manual regeneration

# 4 Litre Crew Cab Range

# 300 Series

## DIMENSIONS (MM) / WEIGHTS (KG) / CAPACITIES (L)



Model Description	616 AT 3870 WIDE CREW	617 MT 3870 WIDE CREW	716 AT 4200 WIDE CREW	717 MT 4200 WIDE CREW	816 AT 4200 WIDE CREW	917 MT 4200 WIDE CREW
Product Code	XZU720R-ZKTMSQ3	XZU720R-ZKFMTQ3	XZU730R-ZKTQSQ3	XZU730R-ZKFQTQ3	XZU730R-ZKTSSQ3	XZU730R-ZKFTTQ3
Max Nom Body length (WBx0.6)+CA-80)	4,437	4,437	4,965	4,965	4,965	4,965
Wheelbase (WB)	3,870	3,870	4,200	4,200	4,200	4,200
Overall length (OL)	6,740	6,740	7,250	7,250	7,250	7,250
Cab Width (CW)	1,995					
Over All Width Rear Tyres (OAWRT)	1,905	1,905	1,975	1,975	2,065	2,065
Overall height (OH)	2,205	2,205	2,230	2,230	2,255	2,260
Cab to rear Axle centre (CA)	2,195	2,195	2,525	2,525	2,525	2,525
Front Overhang (FOH)	1,115					
Rear Overhang (ROH)	1,755	1,755	1,935	1,935	1,935	1,935
Front Chassis Height (FCH)	675	675	695	695	725	725
Rear Chassis Height (RCH)	745	750	755	755	810	810
Road Clearance (RC)	170	170	180	180	200	200
Front Track (FT)	1,665	1,665	1,665	1,665	1,655	1,655
Rear Track (RT)	1,480	1,480	1,520	1,520	1,590	1,590
Turning Circle	Kerb to Kerb	13,000	13,000	13,800	13,800	14,800
	Wall to Wall	14,400	14,400	15,200	15,200	16,200
Indicative chassis mass—kg (STD tools, 10 litres of fuel, spare tyre & subject to a +/- 3% tolerance)						
Total	2,570	2,545	2,680	2,645	2,770	2,735
Front	1,740	1,715	1,790	1,765	1,790	1,765
Rear	830	830	890	880	980	970
Standard Ratings	GVM	4,495	4,495	6,500	6,500	7,995
	GCM	7,995	7,995	8,000	10,000	11,495
Optional Ratings	GVM	5,500	5,500	4,495	4,495	8,500
	GCM	8,000	9,000	7,995	7,995	12,000

Drawings are for reference only to the table. For specific layouts please refer to the Body Mounting Manual drawings.

### WARRANTY

New vehicle warranty period

Light Duty Model	Axle configuration	Standard warranty (whichever comes first)	Cab corrosion perforation
300 Series	4 x 2	3 years or 100,000km	36 months

Battery warranty – 12 months from date of delivery

Genuine parts or accessories warranty – 3 years unlimited kilometres when fitted by an authorised Hino dealer \*

\* For conditions, refer to the Hino Parts & Service warranty brochure



### DISCLAIMER

Important notice – Hino Trucks are distributed in Australia by Hino Motor Sales Australia Pty Ltd A C N 064 989 724. All efforts have been made to ensure the information contained in this brochure was correct at time of printing or uploading. Hino Motor Sales Australia Pty Ltd reserves the right to alter any details of the specifications and equipment without notice. Hino in so far as it is permitted by law to do so, shall not be liable in any way as a result of any reliance placed by any person on anything contained in this brochure. You should therefore check with your authorised Hino dealer at the time of ordering your motor vehicle to ensure that colour, specifications, equipment, design features and options are available for the vehicle you are ordering. Please note that some options may only be available in combination with others. Authorised Hino dealers will on request provide up to date information on all accessories, design features, prices & availability.